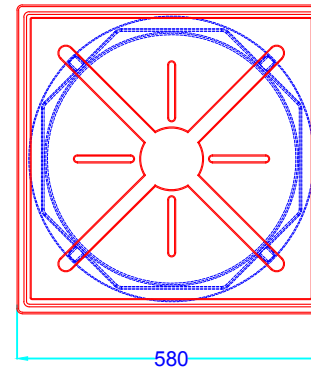
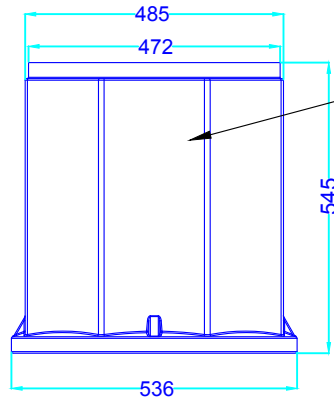
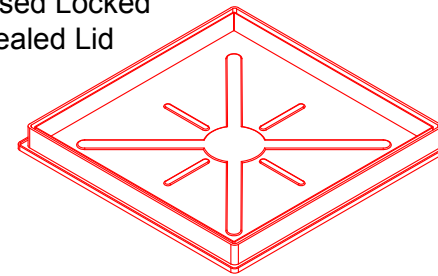


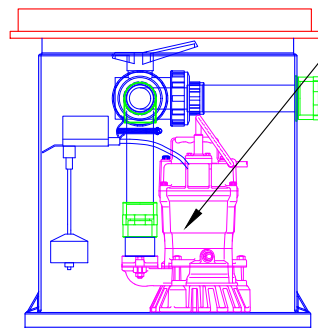
Lid and Frame options: Chamber is supplied with 46mm recessed lid and frame. Deeper recess lids as well as higher quality frames and frame edgings are available also



Recessed Locked and Sealed Lid

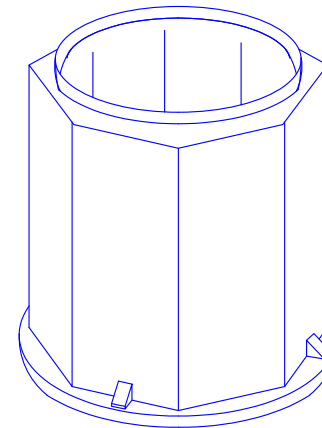


The unique octagonal sump ensures structural stability and provides eight large surfaces for inlets into the pump of up to 110mm via an optional wall flange.



Many pump options are available including pumps for clean water, sink & shower waste and washing machine waste

NP400 shown



This drawings shows a Titan-2 pumping system used in conjunction with the Newton CDM System where the standard pumping system, Titan-Pro, has been deemed to be large to be used within a confined space.

The neck of the sump receives standard manhole covers and lids, and is supplied with the Clark-Drain CLKS 450SR/46SL round to square lockable cover to give the installer the largest number of finishing options available.

As well as the standard clean water pumps a specialist pump for the removal of grey water can be specified.

To access further details and relevant technical information please call our Technical Team on 01732 360095 or refer to our [website](#).

Newton CDM System

Newton Titan-2 Sump with dimensions

NOTE: This is a Newton waterproofing detail and copyright remains with John Newton & Co. Ltd. (trading as Newton Waterproofing Systems). Any specification/advice provided is only valid if used with products supplied by John Newton & Co. Ltd. For the design of the structure, please use a professional designer. We recommend that Newtons' waterproofing systems are installed by our NSBC registered contractors who can offer insurance backed guarantees and accept liability for both the design and installation of our systems. Please refer to product data sheets before installation of our products. Newton Waterproofing Systems reserve the right to update drawings and product literature at any time.

Scale Not to scale	Drawing Reference CDM-P08	Original Reference P12	Drawing Revision d
Date 19/07/2017	Designed by DGB	Drawn by AJG	Checked by DGB